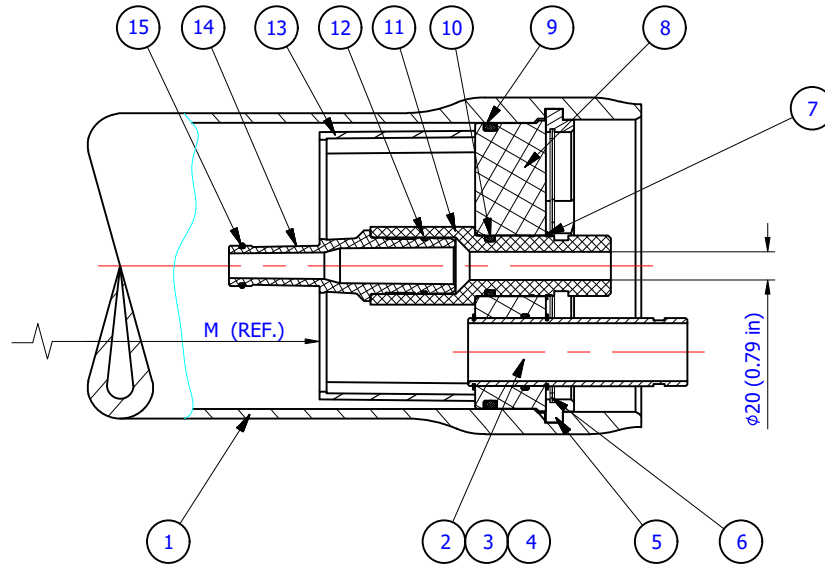


Notes:

1. All dimensions are for reference only, not for construction unless certified.
2. Item 16 & 17 should be located on feed side.
3. Drawing unit: mm. (inches)
4. Saddles can be shimmed if required.
5. Do not scale drawing, may be reprinted on any paper size or copied.
6. The vessel is supplied with two strap assembly.

This drawing is an integral part of the general statement of use and technical manual



Warning.

1. Never pressurize a pressure vessel that was not loaded with membrane elements.
2. Wrong manifolding may effect an excessive pressure on port what can lead to leaks.
3. Max. allowable working pressure not to exceed 300 psi. (20.7 bar).
4. Permeate internal pressure not to exceed 125 psi. (8.6 bar).
5. Operating temperature not to exceed 49°C (120°F).

Item	Qty	Part Number	Description	Material
1	1	80300-0	Body of Pressure Vessel	Glass/Epoxy, acc. F.1.202
2	2	009-160-0600	End Port 1.5"	316 Stainless steel
3	4	55412335	Retaining ring for port	316 Stainless steel
4	2	55412225	Seal for endport	EPDM
5	2	285034015	Support ring	Engineering plastic
6	2	011-801-1202	Retaining ring (finger hook)	316 Stainless steel
7	2	283772336	Retaining ring for p.port	316 Stainless steel
8	2	003-800-0450	Base plate	Engineering plastic
9	2	55412339	Seal for sealing plate	EPDM
10	2	283776342	Seal for p. port	EPDM
11	2	008-801-0125	Permeate port 1.25" BSP	Engineering plastic
12	2	285773918	Seal for Adapter	EPDM
13	1	55410419	Thrust ring	Engineering plastic
14	2	As required	Adapter	Engineering plastic
15	2-4	As required	Membrane seal	EPDM
16	0-3	285779231	Disk spacer - 1mm	Engineering plastic
17	0-7	285779233	Disk spacer - 3mm	Engineering plastic
18	2	55410310	Strap Assy.	316 Stainless steel
19	2-3	55410351	Saddle	Engineering plastic

	TITLE: BEL8-E-300 psi. - non code RO PRESSURE VESSEL		DESIGN	DMG	21/06/2017
			CHECK	JMEP	21/06/2017
DRAWING NO: BEL8-E-300		APPR.	MAF	21/06/2017	
THIS DRAWING IS PROPERTY OF BEL GROUP LIMITED IT IS STRICTLY FORBIDDEN TO USE, COPY, REPRODUCE OR DISCLOSE ANY PART OF IT TO THIRD PARTY WITHOUT WRITTEN AUTHORIZATION.					REV.: 6

