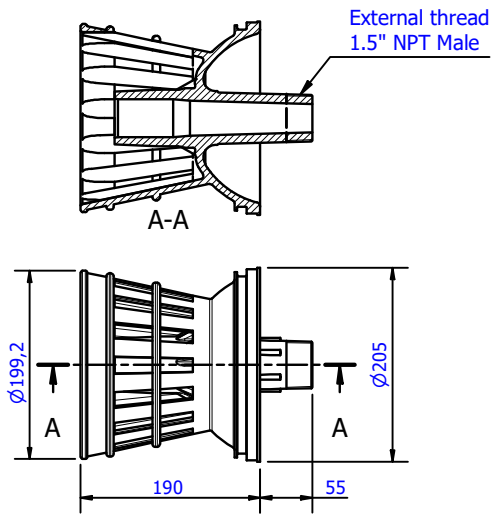


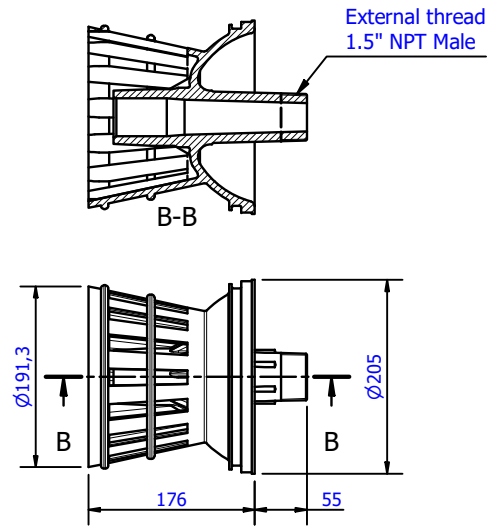
**END CAP 1.5" NPT Male**

Part number: 285779010



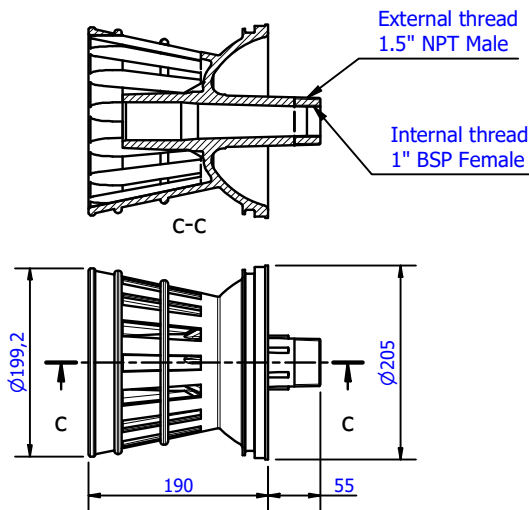
**END CAP 1.5" NPT Male iLec**

Part number: 285779010i



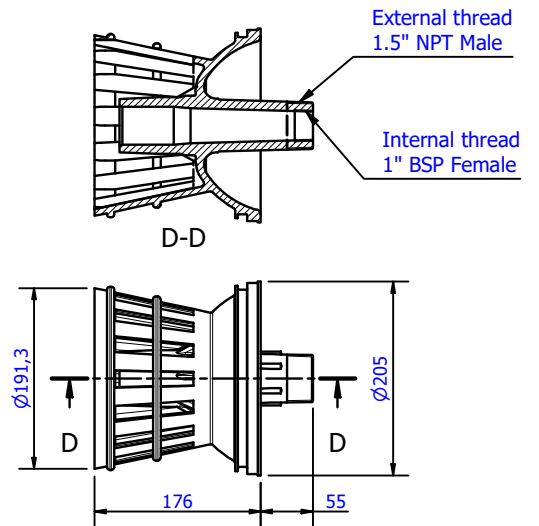
**END CAP 1" BSP Female**

Part number: 285779010g



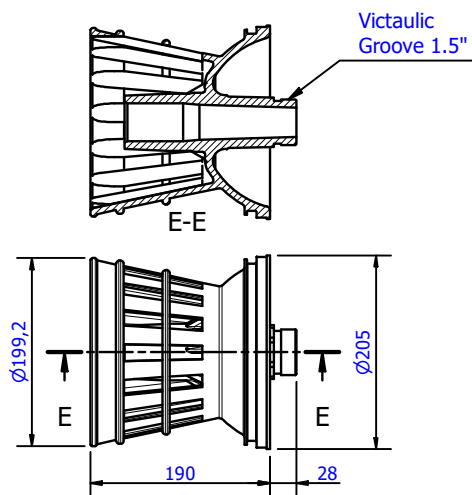
**END CAP 1" BSP Female iLec**

Part number: 285779010ig



**END CAP 1.5" Victaulic**

Part number: 285779010v



**END CAP 1.5" Victaulic iLec**

Part number: 285779010iv

