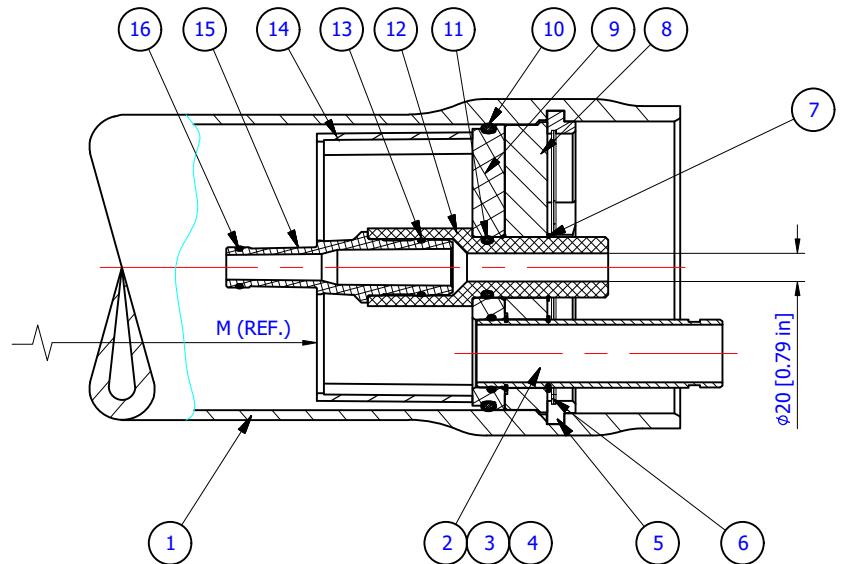


Notes:

1. All dimensions are for reference only, not for construction unless certified.
2. For membranes shimming (if needed) use disks spacers (item 17 & 18) on feed side of the vessels.
3. Drawing unit: mm. (inches)
4. Saddles can be shimmed if required.
5. Do not scale drawing, may be reprinted on any paper size or copied.
6. The vessel is supplied with two strap assembly.
7. \* - ASME parts.

This drawing is an integral part of the general statement of use and Technical Manual



Warning.

1. Never pressurize a pressure vessel that was not loaded with membrane elements.
2. Wrong manifolding may cause an excessive pressure on port what can lead to leaks.
3. Max. allowable working pressure not to exceed 1500 psi. (103.4 bar).
4. Permeate internal pressure not to exceed 125 psi. (8.6 bar).
5. Operating temperature not to exceed 49°C (120°F).

Shell length code	L (l.o.a.) mm. inch	S # (span) mm. inch	M, mm/in length for membranes elements	W weight kg. lb.	Article number
1	1622	710	1032	58	801500-1
	63.9	28	40.6	127	
2	2638	1550	2048	82	801500-2
	103.9	61	80.6	181	
3	3654	2550	3064	106	801500-3
	143.9	100	120.6	235	
4	4670	3250	4080	131	801500-4
	183.9	128	160.6	288	
5	5686	4250	5096	155	801500-5
	223.9	167	200.6	342	
6	6702	5250	6112	180	801500-6
	263.9	207	240.6	396	
7	7718	6250	7128	204	801500-7
	303.9	246	280.6	450	
8	8734	7250	8144	228	801500-8
	343.9	285	320.6	504	

Item	Q-ty	Part Number	Description	Material
1	1	801500-0	Body of Pressure Vessel	Glass/Epoxy, acc. F.1.202
2	2	009-150-1500	End Port 1.5"	Super duplex stainless steel
3	4	55412335	Retaining ring for SP	316 Stainless steel
4	2	55412225	Seal for endport	EPDM
5	2	285154226	Support ring	316 Stainless steel
6	2	011-801-1202	Retaining ring (finger hook)	316 Stainless steel
7	2	283772336	Retaining ring for p.port	316 Stainless steel
8	2	283154220	Base plate	Aluminum
9	2	013-800-1201	Sealing plate	Engineering plastic
10	2	007-080-0092	Seal for sealing plate	EPDM
11	2	283776342	Seal for p. port	EPDM
12	2	008-801-0125	Permeate port 1.25" BSP	Engineering plastic
13	2	285773918	Seal for Adapter	EPDM
14	1	55410419	Thrust ring	Engineering plastic
15	2	As required	Adapter	Engineering plastic
16	2-4	As required	Membrane seal	EPDM
17	0-3	285779231	Disk spacer - 1mm	Engineering plastic
18	0-7	285779233	Disk spacer - 3mm	Engineering plastic
19	2	55410310	Strap Assy.	316 Stainless steel
20	2-3	55410351	Saddle	Engineering plastic

	TITLE:	BEL8-E-1500 PSI RO PRESSURE VESSEL	DESIGN	DMG	21/06/2017
	CHECK	JMEP	21/06/2017		
	DRAWING NO:	BEL8-E-1500	APPR.	MAF	21/06/2017
THIS DRAWING IS PROPERTY OF BEL GROUP LIMITED IT IS STRICTLY FORBIDDEN TO USE, COPY, REPRODUCE OR DISCLOSE ANY PART OF IT TO THIRD PARTY WITHOUT WRITTEN AUTHORIZATION.					REV.: 1

