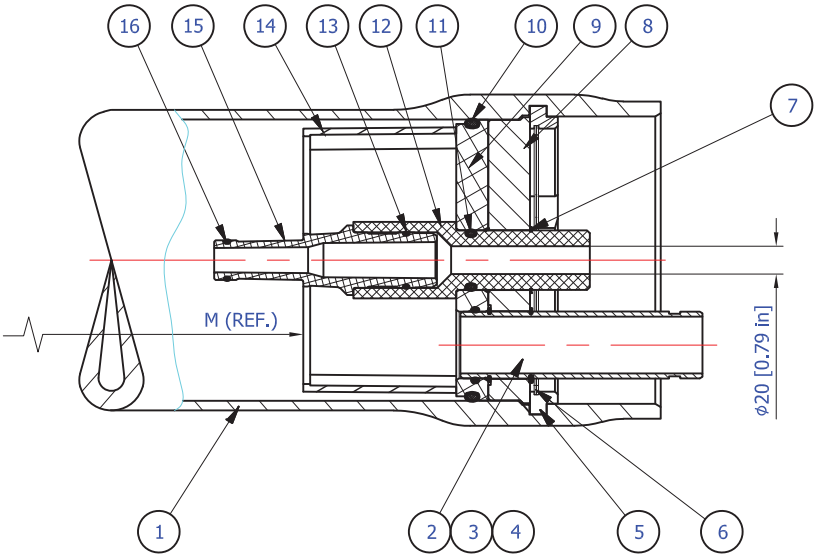


Notes:

1. All dimensions are for reference only, not for construction unless certified.
2. Item 17 & 18 should be located on feed side.
3. Drawing unit: mm. (inches)
4. Saddles can be shimmed if required.
5. Do not scale drawing, may be reprinted on any paper size or copied.
6. The vessel is supplied with two strap assembly.
7. Storage & installation: Indoor.

This drawing is an integral part of the general statement of use and Technical Manual



Warning.

1. Never pressurize a pressure vessel that was not loaded with membrane elements.
2. Wrong manifolding may cause an excessive pressure on port what can lead to leaks.
3. Max. allowable working pressure not to exceed 1800 psi. (124.1 bar).
4. Permeate internal pressure not to exceed 125 psi. (8.6 bar).
5. Operating temperature not to exceed 49°C (120°F).

Shell length code	L (l.o.a.) mm. inch	S# (span) mm. inch	M, mm/in length for membranes elements	W weight kg. lb.	Article number
1	1622 63.9	710 28	1032 40.6	68 150	801800-1
	2638 103.9	1550 61	2048 80.6	96 211	
2	3654 143.9	2550 100	3064 120.6	124 273	801800-3
	4670 183.9	3250 128	4080 160.6	152 335	
3	5686 223.9	4250 167	5096 200.6	180 397	801800-5
	6702 263.9	5250 207	6112 240.6	208 459	
4	7718 303.9	6250 246	7128 280.6	236 520	801800-7
	8734 343.9	7250 285	8144 320.6	264 582	

Item	Q-ty	Part Number	Description	Material
1	1	801800-0	Body of Pressure Vessel	Glass/Epoxy, acc. F.I.202
2	2	009-150-1500	End Port 1.5"	Super duplex stainless steel
3	4	55412335	Retaining ring for SP	316 Stainless steel
4	2	55412225	Seal for endport	EPDM
5	2	005-816-1800	Support ring	316 Stainless steel
6	2	011-801-1202	Retaining ring (finger hook)	316 Stainless steel
7	2	283772336	Retaining ring for p.port	316 Stainless steel
8	2	283154220	Base plate	Aluminum
9	2	013-800-1201	Sealing plate	Engineering plastic
10	2	007-080-0092	Seal for sealing plate	EPDM
11	2	283776342	Seal for p. port	EPDM
12	2	008-801-0125	Permeate port 1.25" BSP	Engineering plastic
13	2	285773918	Seal for Adapter	EPDM
14	1	55410419	Thrust ring	Engineering plastic
15	2	As required	Adapter	Engineering plastic
16	2-4	As required	Membrane seal	EPDM
17	0-3	285779231	Disk spacer - 1mm	Engineering plastic
18	0-7	285779233	Disk spacer - 3mm	Engineering plastic
19	2	55410310	Strap Assy.	316 Stainless steel
20	2-3	55410351	Saddle	Engineering plastic

	TITLE	BEL8-E-1800 PSI (non code) RO PRESSURE VESSEL	DESIGN	DMG	12/09/2019
	CHECK	JMEP	12/09/2019		
	APPR.	MAF	12/09/2019		
DRAWING NO.	8-E-1800				
THIS DRAWING IS PROPERTY OF BEL GROUP LIMITED IT IS STRICTLY FORBIDDEN TO USE, COPY, REPRODUCE OR DISCLOSE ANY PART OF IT TO THIRD PARTY WITHOUT WRITTEN AUTHORIZATION.					
					REV.: 1



**ORDER / R.F.Q. FORM - 8" END PORT PRESSURE VESSELS**

*Please fill and send it to your contact at BEL*

**P.O. / R.F.Q. Number:**

**Customer name:**

**1. NEW SYSTEM / EXISTING SYSTEM or Replacement** , please provide details:

**2. NUMBER OF VESSELS: Units**

*(Please use separate forms for each type in case of multi-type orders)*

**3. WORKING PRESSURE RATE (PSI): 1,800**

**4. NUMBER OF MEMBRANE ELEMENTS IN EACH VESSEL:** (1,,,,,8)

**5. MEMBRANE BRAND AND TYPE:**

*(Please add membrane data sheet)*

**6. CONFIRM TYPE: BEL8-E- - M**  
Pressure # of membranes

**7. PERMEATE PORTS OUTLET: 1.25" BSP male**

**8. ADAPTERS OPTIONS:** Two Standard adapters Standard & Solid (blind) adapter

**9. COLOR:** Standard (white, RAL 9010) Other RAL number: *(contact for pricing)*

Customer signature:

Date:

**FOR DETAILS PLEASE VISIT OUR WEBSITE: [www.belvessels.com](http://www.belvessels.com)**

Oct, 2019