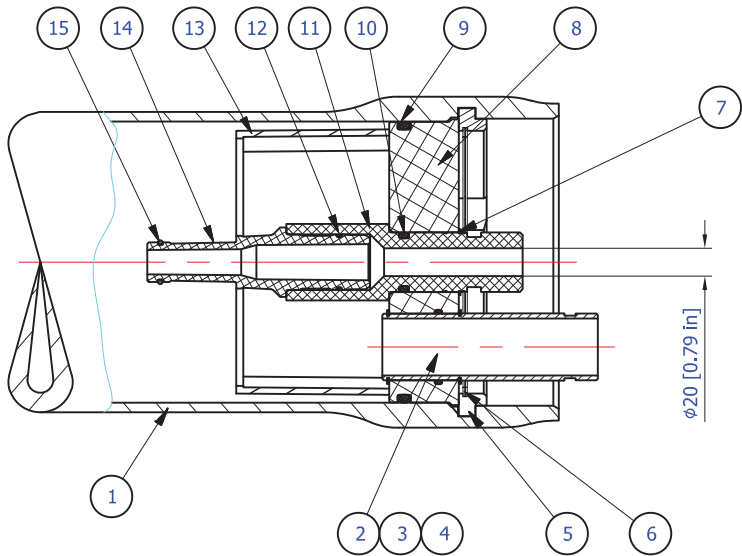


This drawing is an integral part of the general statement of use and Technical Manual

- All dimensions are for reference only, not for construction unless certified.
- Item 16 & 17 should be located on feed side.
- Drawing unit: mm. (inches)
- Saddles can be shimmed if required.
- Do not scale drawing, may be reprinted on any paper size or copied.
- The vessel is supplied with two strap assembly.
- Storage & installation: Indoor.
- Vessel's Port diameters, according to ANSI Standards.

Shell length code	L (l.o.a.) mm. inch	S# (span) mm. inch	M, mm/in length for membranes elements	W weight kg. lb.	Article number
1	1456	710	1032	29	80450-1
	57.3	28	40.6	64	
2	2472	1550	2048	40	80450-2
	97.3	61	80.6	87	
3	3488	2550	3064	50	80450-3
	137.3	100	120.6	111	
4	4504	3250	4080	61	80450-4
	177.3	128	160.6	135	
5	5520	4250	5096	72	80450-5
	217.3	167	200.6	159	
6	6536	5250	6112	83	80450-6
	257.3	207	240.6	183	
7	7552	6250	7128	94	80450-7
	297.3	246	280.6	207	
8	8568	7250	8144	104	80450-8
	337.3	285	320.6	230	



Warning.

- Never pressurize a pressure vessel that was not loaded with membrane elements.
- Wrong manifolding may effect an excessive pressure on port what can lead to leaks.
- Max. allowable working pressure not to exceed 450 psi. (31 bar).
- Permeate internal pressure not to exceed 125 psi. (8.6 bar).
- Operating temperature not to exceed 65°C (150°F).

Item	Q-ty	Part Number	Description	Material
1	1	80450-0	Body of Pressure Vessel	Glass/Epoxy, acc. F.1.202
2	2	009-150-0600	End Port 1.5"	316 Stainless steel
3	4	55412335	Retaining ring for port	316 Stainless steel
4	2	55412225	Seal for endport	EPDM
5	2	55410299	Support ring	Aluminum
6	2	011-801-1202	Retaining ring (finger hook)	316 Stainless steel
7	2	283772336	Retaining ring for p.port	316 Stainless steel
8	2	003-800-0450	Base plate	Engineering plastic
9	2	55412339	Seal for sealing plate	EPDM
10	2	283776342	Seal for p. port	EPDM
11	2	008-801-0125	Permeate port 1.25" BSP	Engineering plastic
12	2	285773918	Seal for Adapter	EPDM
13	1	55410419	Thrust ring	Engineering plastic
14	2	As required	Adapter	Engineering plastic
15	2-4	As required	Membrane seal	EPDM
16	0-3	285779231	Disk spacer - 1mm	Engineering plastic
17	0-7	285779233	Disk spacer - 3mm	Engineering plastic
18	2	55410310	Strap Assy.	316 Stainless steel
19	2-3	55410351	Saddle	Engineering plastic

	TITLE	BEL8-E-450 psi. - non code RO PRESSURE VESSEL	DESIGN	DMG	04/05/2020
	CHECK	JME	04/05/2020		
	DRAWING NO.	BEL8-E-450	APPR.	MAF	04/05/2020

THIS DRAWING IS PROPERTY OF BEL GROUP LIMITED IT IS STRICTLY FORBIDDEN TO USE, COPY, REPRODUCE OR DISCLOSE ANY PART OF IT TO THIRD PARTY WITHOUT WRITTEN AUTHORIZATION.

REV.: 7



ORDER / R.F.Q. FORM - 8" END PORT PRESSURE VESSELS

Please fill and send it to your contact at BEL

P.O. / R.F.Q. Number:

Customer name:

1. NEW SYSTEM / EXISTING SYSTEM or Replacement , please provide details:

2. NUMBER OF VESSELS: Units

(Please use separate forms for each type in case of multi-type orders)

3. WORKING PRESSURE RATE (PSI): 300 450 600 1,000 1,200 1,500

4. NUMBER OF MEMBRANE ELEMENTS IN EACH VESSEL: (1,,,,,8)

5. MEMBRANE BRAND AND TYPE:

(Please add membrane data sheet)

6. CONFIRM TYPE: BEL8-E- - M Vessel's Port diameters, according to ANSI Standards.
Pressure # of membranes

7. PERMEATE PORTS OUTLET: 1.25" BSP male

8. ASME code SEC. X, RP stamped vessel: NO YES *(please contact for pricing)*

9. ADAPTERS OPTIONS: Two Standard adapters Standard & Solid (blind) adapter

10. COLOR: Standard (white, RAL 9010) Other RAL number: *(contact for pricing)*

Customer signature:

Date:

FOR DETAILS PLEASE VISIT OUR WEBSITE: www.belvessels.com

May, 2020