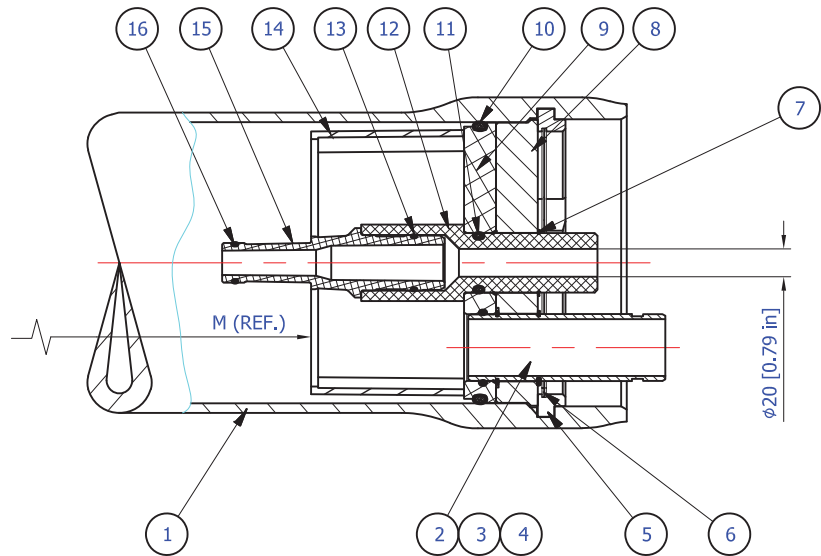


This drawing is an integral part of the general statement of use and Technical Manual

Shell length code	L (l.o.a.) mm. inch	S# (span) mm. inch	M, mm/in length for membranes elements	W weight kg. lb.	Article number
1	1500	710	1032	38	80600-1
	59.1	28	40.6	85	
2	2516	1550	2048	52	80600-2
	99.1	61	80.6	114	
3	3532	2550	3064	65	80600-3
	139.1	100	120.6	144	
4	4548	3250	4080	79	80600-4
	179.1	128	160.6	174	
5	5564	4250	5096	92	80600-5
	219.1	167	200.6	204	
6	6580	5250	6112	106	80600-6
	259.1	207	240.6	234	
7	7596	6250	7128	119	80600-7
	299.1	246	280.6	263	
8	8612	7250	8144	133	80600-8
	339.1	285	320.6	293	



**Warning.**

1. Never pressurize a pressure vessel that was not loaded with membrane elements.
2. Wrong manifolding may cause an excessive pressure on port what can lead to leaks.
3. Max. allowable working pressure not to exceed 600 psi. (41.4 bar).
4. Permeate internal pressure not to exceed 125 psi. (8.6 bar).
5. Operating temperature not to exceed 65°C (150°F).

1. All dimensions are for reference only, not for construction unless certified.
2. For membranes shimming (if needed) use disks spacers (item 17 & 18) on feed side of the vessels.
3. Drawing unit: mm. (inches)
4. Saddles can be shimmed if required.
5. Do not scale drawing, may be reprinted on any paper size or copied.
6. The vessel is supplied with two strap assembly.
7. \* - ASME parts.
8. Storage & installation: Indoor.
9. Vessel's Port diameters, according to ANSI Standards.

Item	Q-ty	Part Number	Description	Material
1*	1	80600-0	Body of Pressure Vessel	Glass/Epoxy
2*	2	009-150-0602	End Port 1.5"	316 Stainless steel
3	4	55412335	Retaining ring for port	316 Stainless steel
4	2	55412225	Seal for endport	EPDM
5*	2	55410299	Support ring	Aluminum
6	2	011-801-1202	Retaining ring (finger hook)	316 Stainless steel
7	2	283772336	Retaining ring for p.port	316 Stainless steel
8*	2	283154220	Base plate	Aluminum
9	2	013-800-1201	Sealing plate	Engineering plastic
10	2	007-080-0092	Seal for sealing plate	EPDM
11	2	283776342	Seal for p. port	EPDM
12	2	008-801-0125	Permeate port 1.25" BSP	Engineering plastic
13	2	285773918	Seal for Adapter	EPDM
14	1	55410419	Thrust ring	Engineering plastic
15	2	As required	Adapter	Engineering plastic
16	2-4	As required	Membrane seal	EPDM
17	0-3	285779231	Disk spacer - 1mm	Engineering plastic
18	0-7	285779233	Disk spacer - 3mm	Engineering plastic
19	2	55410310	Strap Assy.	316 Stainless steel
20	2-3	55410351	Saddle	Engineering plastic

	TITLE	BEL8-E-600 psi. RO PRESSURE VESSEL	DESIGN	DMG	04/05/2020
	CHECK	JME	04/05/2020		
DRAWING NO.	BEL8-E-600	APPR.	MAF	04/05/2020	
THIS DRAWING IS PROPERTY OF BEL GROUP LIMITED IT IS STRICTLY FORBIDDEN TO USE, COPY, REPRODUCE OR DISCLOSE ANY PART OF IT TO THIRD PARTY WITHOUT WRITTEN AUTHORIZATION.					REV.: 7



**ORDER / R.F.Q. FORM - 8" END PORT PRESSURE VESSELS**

*Please fill and send it to your contact at BEL*

**P.O. / R.F.Q. Number:**

**Customer name:**

**1. NEW SYSTEM / EXISTING SYSTEM or Replacement** , please provide details:

**2. NUMBER OF VESSELS: Units**

*(Please use separate forms for each type in case of multi-type orders)*

**3. WORKING PRESSURE RATE (PSI):** 300 450 600 1,000 1,200 1,500

**4. NUMBER OF MEMBRANE ELEMENTS IN EACH VESSEL:** (1,,,,,8)

**5. MEMBRANE BRAND AND TYPE:**

*(Please add membrane data sheet)*

**6. CONFIRM TYPE: BEL8-E- - M** Vessel's Port diameters, according to ANSI Standards.  
Pressure # of membranes

**7. PERMEATE PORTS OUTLET: 1.25" BSP male**

**8. ASME code SEC. X, RP stamped vessel:** NO YES *(please contact for pricing)*

**9. ADAPTERS OPTIONS:** Two Standard adapters Standard & Solid (blind) adapter

**10. COLOR:** Standard (white, RAL 9010) Other RAL number: *(contact for pricing)*

Customer signature:

Date:

**FOR DETAILS PLEASE VISIT OUR WEBSITE: [www.belvessels.com](http://www.belvessels.com)**

May, 2020