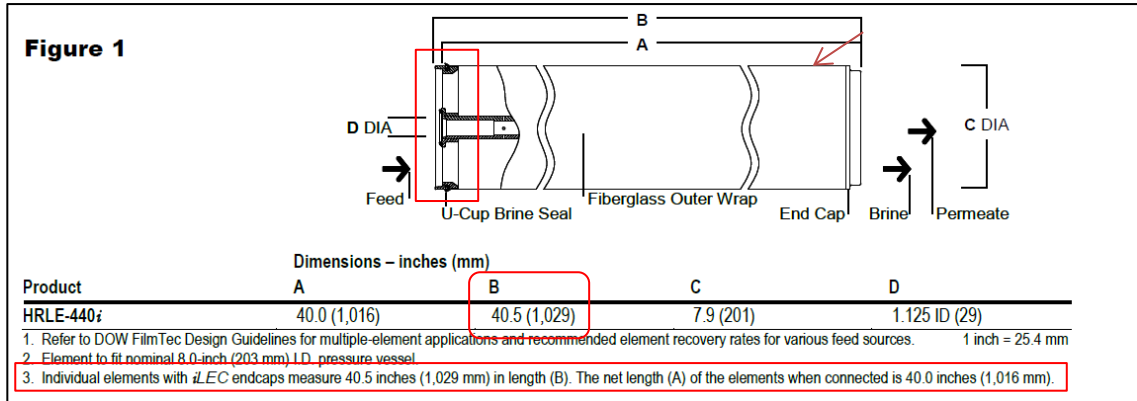




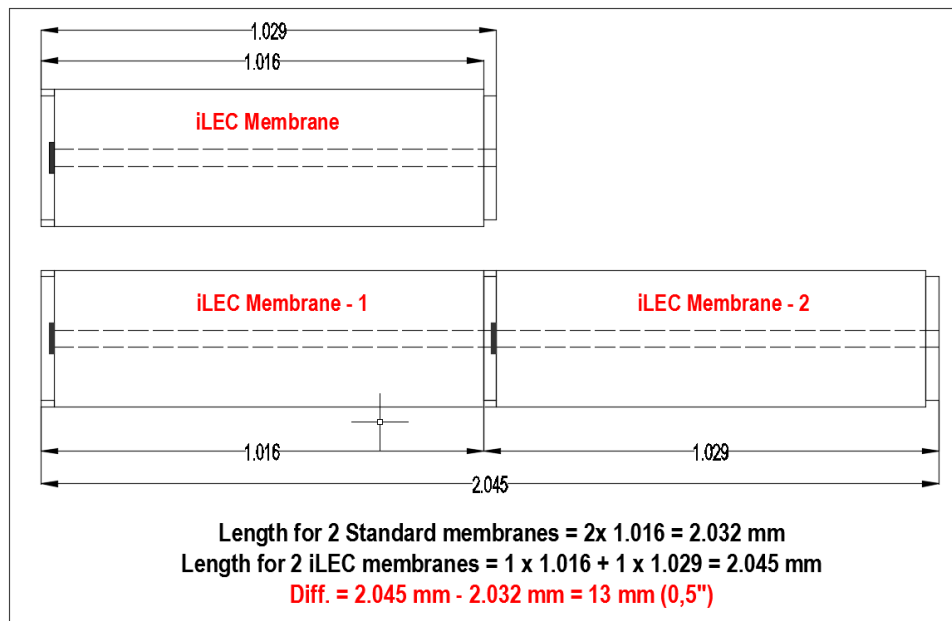
## iLEC SYSTEM - DOW MEMBRANES

The iLEC connection system from DOW FILMTEC Membranes are unique in its kind cause their dimensions are 40,5" in length while the other manufacturers provide the dimension of 40".

This particularity of +0,5" corresponds to the connection system of iLEC as it can be clearly observed from the following figure.



If we bear in mind that in the point 3 of the previous figure its indicated that, once all the elements are interconnected, each membrane fits in its following of the added measure 0,5" which this membrane have, the last membrane would sum up the total length of 40,5".



This fact will imply that in order to close the End caps of the pressure vessels, two types of End caps should necessarily be supplied:

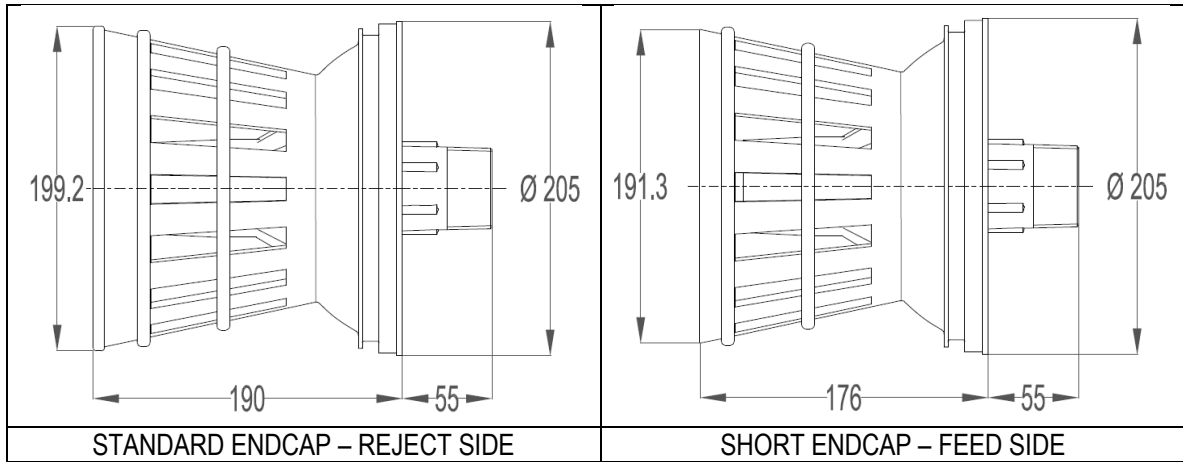
- Standard End Cap– Attached to the rejecting side of the pressure vessel – given that this End Cap provides the Thrust Ring in order to distribute the force of the membranes under operation over its own surface.
- Short End Cap- Must be located on the pressure vessel's feed side.

**BEL COMPOSITE IBÉRICA, S.L.**

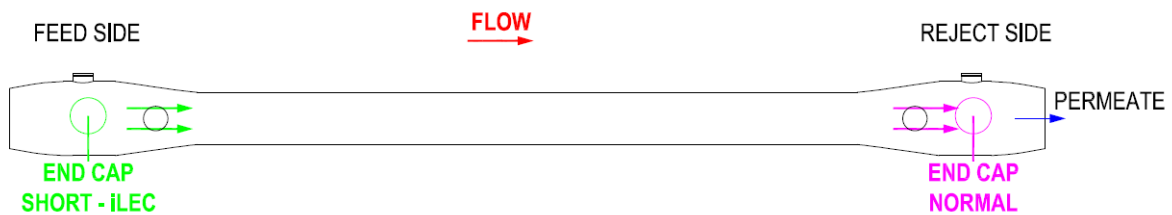
Parque Tecnológico Fuente Álamo. Ctra. del Estrecho-Lobosillo, km 2. 30320 Fuente Álamo, Murcia (España)  
 Tel.: +34 968 197 501. Fax: 968 197 502. e-Mail: [iberica@bel-g.com](mailto:iberica@bel-g.com)



The inappropriate placement of the End Caps mentioned could produce negative effects such as damage in the membranes during membranes operation.



**NOTE.- BEL Solution, use strictly BEL Standard Adapters**



As an additional note, and in order to simplify membranes loading, given that the membranes are installed by turning, it's recommended the use of grip wrench-a tool which will help much during the membranes loading, taking in consideration that the operator's hands will be soaked in glycerin (lubricant). For your more detailed information, please note the Figure displayed further below this document.



Warning: the size of Grip Wrench must be enough to tighten 8" membrane

**BEL COMPOSITE IBÉRICA, S.L.**

Parque Tecnológico Fuente Álamo. Ctra. del Estrecho-Lobosillo, km 2. 30320 Fuente Álamo, Murcia (España)  
Tel.: +34 968 197 501. Fax: 968 197 502. e-Mail: [iberica@bel-g.com](mailto:iberica@bel-g.com)